

Product information

VELUX INTEGRA® top-operated centre-pivot polyurethane roof window GGU



Product description

- Icon based control pad with eight pre-set programs. The programs can manage products and control the indoor climate – also possible to design personal programs
- Pre-installed hidden window operator
- Silent motor operation
- Rain sensor ensures that the window closes automatically in case of rain
- Easy installation of mains powered decoration and sunscreening products
- Control pad uses secure radio frequency (RF) technology to operate individual or groups of roof windows, blinds, awnings and roller shutters from anywhere in the building
- Control pad can operate up to 200 products
- Ventilation flap allows fresh air to circulate even when your window is closed
- Integrated dust and insect filter

Roof pitch

- Can be installed in roof pitches between 15° and 90°

Materials

- A core of thermally modified timber with a seamless waterproof polyurethane coating
- VELUX ThermoTechnology™ insulation ensures an excellent energy performance
- Maintenance-free exterior covers in lacquered aluminium, copper or zinc

Downloads

For installation instructions, CAD drawings, 3D BIM objects, 3D GDL objects etc, please visit www.velux.bg.

Certifications



The VELUX product factories guarantee quality systems implementation process and environmental management systems through appropriate accreditations ISO 9001 and ISO 14001

EUTR In compliance with the EU Timber Regulation (EUTR), EU regulation 995/2010

REACH We are aware of the REACH regulation and acknowledge the obligations. No products are obliged to be registered in accordance to REACH and none of our products contains any Substances of Very High Concern.

Available sizes and daylight area

	472 mm	550 mm	660 mm	780 mm	942 mm	1140 mm	1340 mm
778 mm		GGU CK02 (0.22)					
978 mm		GGU CK04 (0.29)	GGU FK04 (0.38)	GGU MK04 (0.47)			GGU UK04 (0.91)
1178 mm		GGU CK06 (0.37)	GGU FK06 (0.47)	GGU MK06 (0.59)	GGU PK06 (0.75)	GGU SK06 (0.95)	
1398 mm			GGU FK08 (0.58)	GGU MK08 (0.72)	GGU PK08 (0.92)	GGU SK08 (1.16)	GGU UK08 (1.40)
1600 mm				GGU MK10 (0.85)	GGU PK10 (1.07)		

() = Effective daylight area, m²

Lining measurements

Size	Width (mm)
CK--	495
FK--	605
MK--	725
PK--	887
SK--	1085
UK--	1285

Size	Height (mm)
--02	719
--04	919
--06	1119
--08	1339
--10	1549



Recommended application

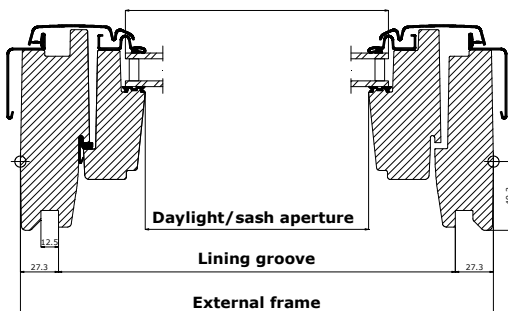
Mains powered VELUX INTEGRA® roof windows are

- perfect for new installations where frequent use of the window is essential
- ideal for out-of-reach situations or when extra convenience is needed

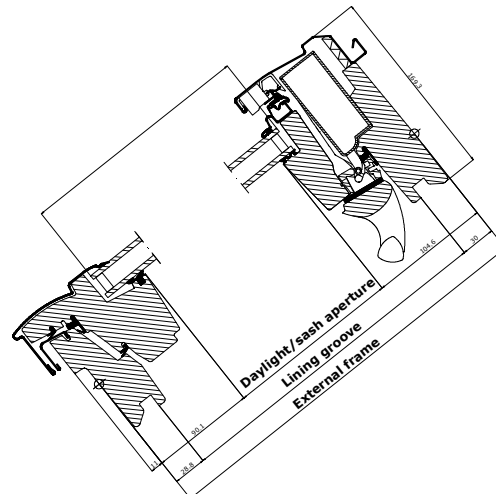
VELUX INTEGRA® control pad with intelligent programs ensures

- a perfect level of energy efficiency and comfort
- easy ventilation and better indoor air quality

Width



Height



Technical values

	--57	--60	--62	--66	--70	--73	--76
U_w [W/m²K]	1.2	1.2	0.83	1.0	1.3	1.2	1.2
U_g [W/m²K]	1.0	1.0	0.5	0.7	1.1	1.0	1.0
R_w [dB]	37	37	40	37	35	35	35
g []	0.30	0.30	0.50	0.50	0.64	0.52	0.30
τ_v []	0.79	0.61	0.65	0.69	0.79	0.75	0.62
τ_{uv} []	0.05	0.05	0.05	0.05	0.05	0.05	0.05
Air permeability [class]	4	4	4	4	4	4	4

Thermal improvements such as lower U-value (U_w) and lower linear heat loss coefficient (φ) can, for some variants, be obtained with frame insulation collar and/or recessed installation.

Glazing structure

	--57	--60	--62	--66	--70	--73	--76
Inner glass pane	2 x 3 mm laminated float with low ε coating	2 x 3 mm laminated float with low ε coating	2 x 3 mm laminated float with low ε coating	2 x 3 mm laminated float with low ε coating	2 x 3 mm laminated float with low ε coating	2 x 3 mm laminated float with low ε coating	2 x 3 mm laminated float with low ε coating
Middle glass pane	-	-	3 mm heat strengthened float with low ε coating	3 mm heat strengthened float with low ε coating	-	-	-
Outer glass pane	6 mm toughened with coatings	6 mm toughened with coatings	8 mm toughened with coating	4 mm toughened with coatings	4 mm toughened	4 mm toughened	4 mm toughened with coating
Cavity	15 mm	15 mm	2 x 10 mm	2 x 12 mm	15 mm	15 mm	15 mm
Glass panes	Double	Double	Triple	Triple	Double	Double	Double
Gas filling	Argon	Argon	Krypton	Argon	Argon	Argon	Argon

Glazing features

		--57	--60	--62	--66	--70	--73	--76
	Heat insulation Low energy glazing provides reduced heat loss through the window and enhanced indoor comfort.	••	••	•••	•••	•	••	••
	Solar gain In the wintertime, the heat from the sun entering through the windows is a usable solar gain.	•	•	••	••	•••	••	•
	Solar protection In warm climates and in rooms with large window areas, a sun protective coating provides a better indoor climate during summer periods. Alternatively, exterior sun screening can be installed.	•••	•••					•••
	Sound insulation A combination of laminated glass and optimal glass thickness provides better sound insulation. Frame/sash construction and gaskets are equally important.	•••	•••	•••	•••	••	••	••
	Security Thicker laminated inner glass pane designed to increase resistance to manual attack (burglary).		•	•	•	•	•	
	Energy balance The energy balance represents the ability of the roof window to utilise the passive solar gain and keep in the heat during winter and its ability to protect against the risk of overheating during summer. Sun screening products can further improve indoor summer comfort.	✓	✓	✓	✓	✓	✓	✓
	Safety Laminated inner glass is designed to hold the fragments together if the glass breaks. We recommend that you consider using glass units with laminated glass on the inside for windows placed above areas where people sleep, play or work.	✓	✓	✓	✓	✓	✓	✓
	Outside strength Toughened outer glass pane makes your glazing more resistant to hail, heavy wind and snow loads.	✓	✓	✓	✓	✓	✓	✓
	Delayed fading of materials Inner laminated glass protects materials behind the glass against UV radiation and therefore delays fading of the materials.	✓	✓	✓	✓	✓	✓	✓
	Rain noise reduction The combination of laminated glass and extra thick glass helps provide a significant, audible reduction of rainfall sound. Frame/sash construction and gaskets are equally important.	✓	✓	✓				
	Easy-to-clean The easy-to-clean coating minimises the cleaning frequency of the outer glass pane and gives you a clearer view in case of rain.	✓	✓					
	Anti-dew The anti-dew coating significantly reduces the days with dew on the outer glass pane and thus gives you a clear view.			✓				

• Good •• Better ••• Best ✓ Feature included in glazing variant

Technical values, ventilation through ventilation flap

Property	Windows with double glazing					
	Width					
	CK--	FK--	MK--	PK--	SK--	UK--
Air flow characteristics [l/s]	tbd	tbd	tbd	tbd	tbd	tbd
Air flow exponent [-]	tbd	tbd	tbd	tbd	tbd	tbd
Ventilation capacity at 4 Pa [l/s]	tbd	tbd	tbd	tbd	tbd	tbd
Ventilation capacity at 8 Pa [l/s]	tbd	tbd	tbd	tbd	tbd	tbd
Ventilation capacity at 10 Pa [l/s]	tbd	tbd	tbd	tbd	tbd	tbd
Ventilation capacity at 20 Pa [l/s]	tbd	tbd	tbd	tbd	tbd	tbd
Equivalent area through ventilation flap [mm ²]	tbd	tbd	tbd	tbd	tbd	tbd
Geometrical free area [mm ²]	tbd	tbd	tbd	tbd	tbd	tbd

tbd: to be determined

Property	Windows with triple glazing					
	Width					
	CK--	FK--	MK--	PK--	SK--	UK--
Air flow characteristics [l/s]	tbd	tbd	tbd	tbd	tbd	tbd
Air flow exponent [-]	tbd	tbd	tbd	tbd	tbd	tbd
Ventilation capacity at 4 Pa [l/s]	tbd	tbd	tbd	tbd	tbd	tbd
Ventilation capacity at 8 Pa [l/s]	tbd	tbd	tbd	tbd	tbd	tbd
Ventilation capacity at 10 Pa [l/s]	tbd	tbd	tbd	tbd	tbd	tbd
Ventilation capacity at 20 Pa [l/s]	tbd	tbd	tbd	tbd	tbd	tbd
Equivalent area through ventilation flap [mm ²]	tbd	tbd	tbd	tbd	tbd	tbd
Geometrical free area [mm ²]	tbd	tbd	tbd	tbd	tbd	tbd

tbd: to be determined

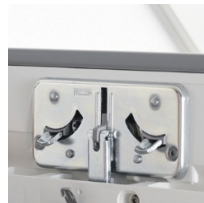
Visible features



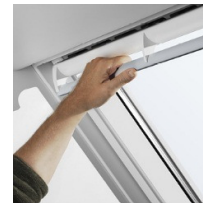
1 Window opening
When operated with the control pad, the window opens variably up to 200 mm. The window can also be opened manually, eg in case of power failure



2 Data plate
Each VELUX roof window has a unique data plate showing type, size, variant etc of the window. QR code with link to local mobile website



3 Lock casing
Electro-galvanised steel



4 Ventilation flap with control bar
The ventilation flap is designed with a control bar to allow for manual operation



ThermoTechnology™

5 Excellent insulation
Thermally modified timber in combination with elements of expanded polystyrene ensure an excellent energy performance



6 Barrel bolt
The roof window can be rotated and secured in position with a barrel bolt to ensure safe and easy cleaning of the outside pane from the inside



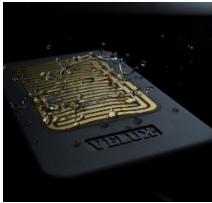
Pick&Click!™

7 Brackets for accessories
With the pre-installed VELUX Pick&Click!™ brackets, installation of solar powered blinds could not be easier



8 Control pad
Unique VELUX INTEGRA® control pad featuring touch screen with swipe function and pre-set programs

Visible features



1 Rain sensor

The rain sensor ensures that the window closes automatically if it starts raining



2 Click-on covers

Click-on covers make installation easier, faster and safer



3 Window operator and chain

Fully integrated, hidden motor with chain. Silent motor operation



4 Laminated pane

Laminated inner glass on all variants for personal safety



5 Pivot hinge

VELUX high quality pivot hinge provides stability and perfect sash balance. Electro-galvanised steel

Cleaning and maintenance



To clean the outer pane from the inside, rotate sash and secure in cleaning position with barrel bolt.



VELUX repair and maintenance kits are available.

Exterior covers

Material	NCS standard colour	RAL nearest standard colour
Lacquered aluminium (-0--) grey	S 7500-N	7043
Lacquered aluminium (-5--) black	S 9000-N	9005
Copper (-1--)	-	-
Titanium zinc (-3--)	-	-

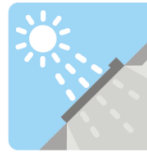
Special colour requests, please contact www.velux.bg.

Interior finish

White lacquer	Lacquer, white, NCS standard colour: S 0500-N, nearest RAL standard colour: 9003.
---------------	---

Special colour requests, please contact www.velux.bg.

Blinds, awnings and shutters



Interior suncreening

- Blackout blind ●●●
- Roller blind ●●●
- Pleated blind ★
- Flying pleated blind ●
- Double pleated energy blind ●●
- Venetian blind ●●
- Duo blackout blind ●



Exterior suncreening

- Awning blind ●●●
- Roller shutter ●●●



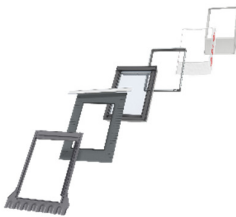
Additional accessories

- Insect roller screen ●

- Available in manual and mains/solar powered versions
- Available in manual and mains powered versions
- Available in manual version
- ★ Available in mains powered version

The mains and solar powered versions are part of the VELUX INTEGRA® product range.

Flashings and installation products



Flashings:

- ED- for single installation
- EB- for twin installation
- EK- for combi installation

Available for standard and recessed installation

Installation products:

- Installation set BDX 2000 (incl. BFX)
- Underfelt collar BFX 1000 incl. transverse drainage gutter
- Vapour barrier collar BBX 0000
- Linings LS- (incl. BBX)
- Kit for lining LSG 1000 (incl. BBX)

Control options



Upgrade your system

VELUX INTEGRA® Active sensor system monitors and receives data from the outside solar and temperature sensors and activates blinds and shutters when necessary. In this way, the system improves thermal comfort while also reducing cooling costs in summer and heating costs in winter.

Technical information

Material and colour	<p>Roof window: See brochure or price list for variants.</p> <p>Control pad: ABS, white (NCS S 1000-N), black (RAL 9005) and metallic grey.</p> <p>Window operator: PBT with glass fibre, black (NCS S 9000-N) and stainless steel chain.</p> <p>Rain sensor: Gold-coated sensor, grey (RAL 7022)</p>
Size and weight	<p>Size of product including packaging: The same as equivalent manually operated roof window.</p> <p>Weight: Approx 3 kg more than equivalent manually operated roof window.</p> <p>Control pad: 95 x 95 x 23 mm (W x H x D), 114 g (with batteries 184 g).</p>
Installation and use	<p>The window is classified in protection class IP44.</p> <p>The window operator is hidden in the top cover and functions at temperatures between -10°C and +60°C.</p> <p>The control pad is for indoor use, maximum ambient temperature 50°C.</p> <p>Radio frequency range: 200 m free field. Depending on building construction, the indoor range is approximately 20 m.</p> <p>Installation in rooms with a high level of humidity must comply with relevant regulations (contact a qualified electrician if necessary).</p>
Window opening	<p>Max 200 mm within 35 seconds.</p> <p>Due to a shorter chain, small/special window sizes have a different window opening.</p> <p>Window opening for sizes --01 and --02 = 135 mm. Window opening for sizes --25 and --27 = 38 mm.</p>
Power consumption	<p>230/240 V a.c. – 50 Hz / 40 VA</p> <p>Control pad: 3 x alkaline AA/LR6 (1.5 V) batteries. Expected battery lifetime: Approximately 1 year.</p>
Motor capacity	<p>Traction capacity: Min 225 N</p> <p>Pressure capacity: Min 150 N</p>
Connection	<p>The window is equipped with a 7.5 m 2-core cable (H05VV-F) with a standard mains plug for connection to the mains supply (2.5 m for the UK).</p>
Compatibility	<p>The window is based on radio frequency (RF) technology, 868 MHz range, and is compatible with other products with the io-homecontrol® logo.</p> <p>The window is prepared for subsequent installation of mains powered VELUX INTEGRA® interior and exterior decoration and sunscreening products as well as frame lights.</p> <p>It is not compatible with battery powered or VELUX INTEGRA® Solar decoration and sunscreening products.</p> <p>Connection to non-compatible products may cause damage or malfunction.</p>
CE marking	<p>The window is CE-marked to indicate that it is in accordance with the EU directives CPD, LVD, MD, R&TTE and EMC for household, trade and light industry.</p>
Note	<p>This sheet describes the added features of mains powered VELUX INTEGRA® roof window GGU compared with manually operated VELUX roof window GGU. For further information on the features and specifications of GGU, please see the main VELUX brochure.</p> <p>We reserve the right to make technical changes.</p>